

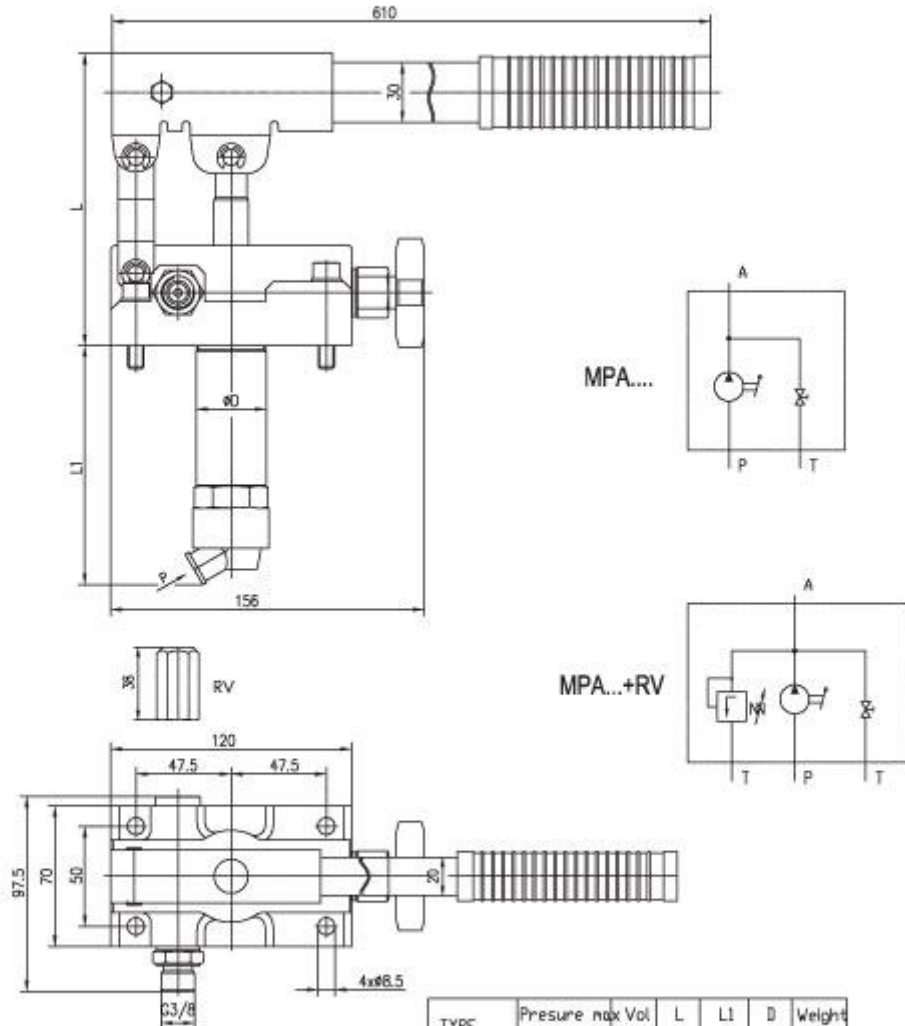
Hand Pump MPA



HAND PUMP MPA

Material - AL 9002/5T6

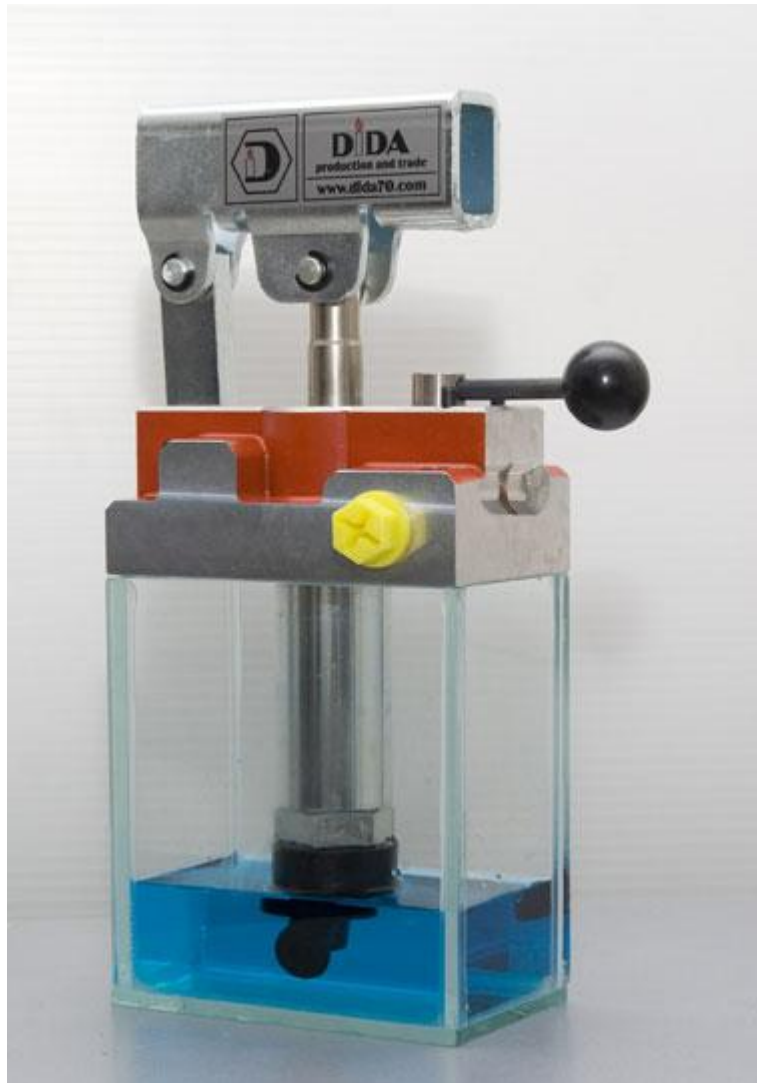
ADAPTABLE TO OIL TANK



TYPE	Pressure bar	max Vol cm ³	L mm	L1 mm	D mm	Weight kg
MPA12	380	12	147	120	30	3.4
MPA25	350	25	147	120	35	3.7
MPA45	280	45	167	128	40	4.2
MPA12+RV	380	12	147	120	30	3.5
MPA25+RV	350	25	147	120	35	3.8
MPA45+RV	280	45	167	128	40	4.3

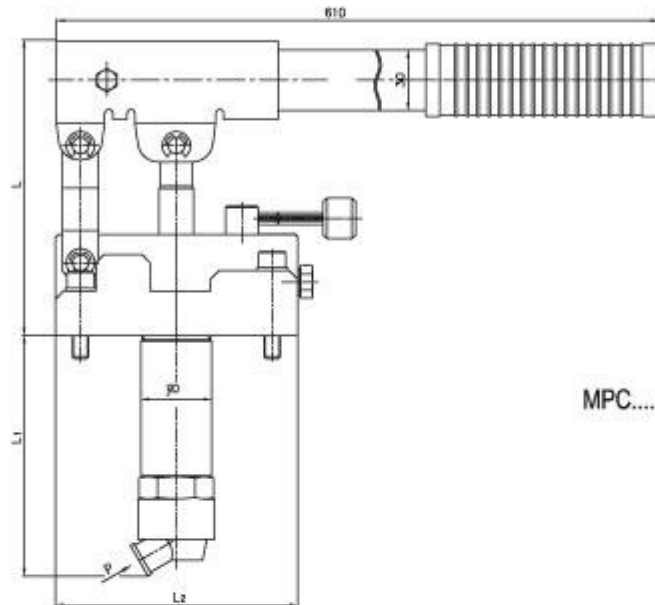
*RV-set pressure at 100bar

Hand Pump MPC

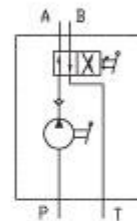


HAND PUMP MPC

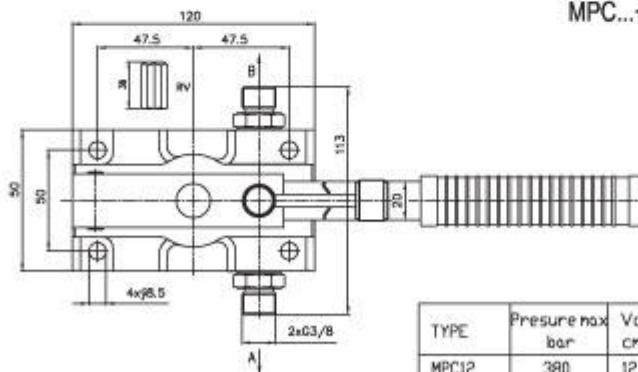
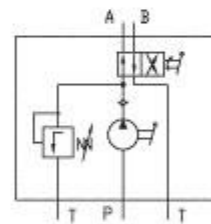
Material - AL 9002/5T6
ADAPTABLE TO OIL TANK



MPC....



MPC...+RV



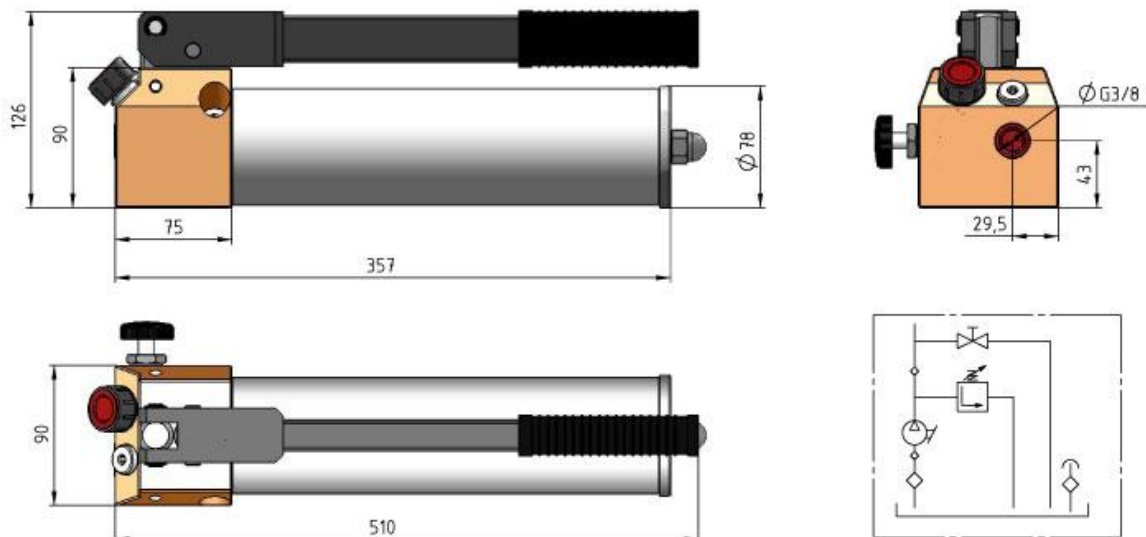
TYPE	Pressure max bar	Vol cm ³	L mm	L1 mm	L2 mm	D mm	Weight kg
MPC12	380	12	147	120	165	30	3.6
MPC25	350	25	147	120	165	35	3.9
MPC45	280	45	167	128	167	40	4.4
MPC12+RV	380	12	147	120	165	30	3.7
MPC25+RV	350	25	147	120	165	35	4.0
MPC45+RV	280	45	167	128	167	40	4.5

*RV-set pressure at 100bar

Hidraulic Hand Pump Type MPG 700

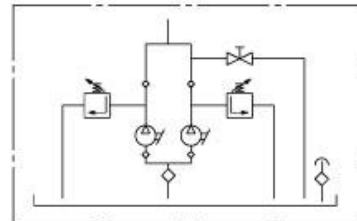
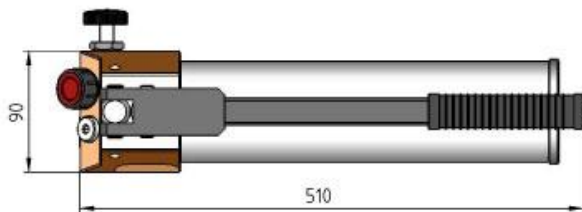
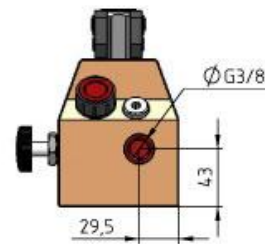
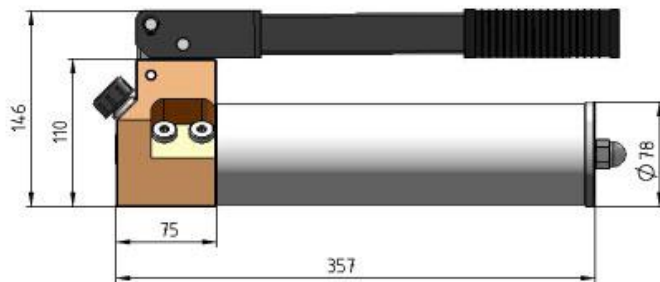


Hydraulic Hand Pump Type MPG 700



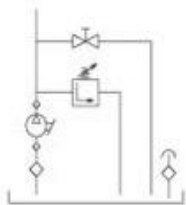
Type	Pressure		Delivery		Handle effort N	D	d	Stroke mm
	1 st. bar	2 st. bar	1 st. ccm	2 st. ccm		1 st. mm	2 st. mm	
MPG S-1	X	700	X	2.8	260	X	10	30
MPG S-2	X	700	X	3.4	350	X	12	30

Hydraulic Hand Pump Type MPG 700-double

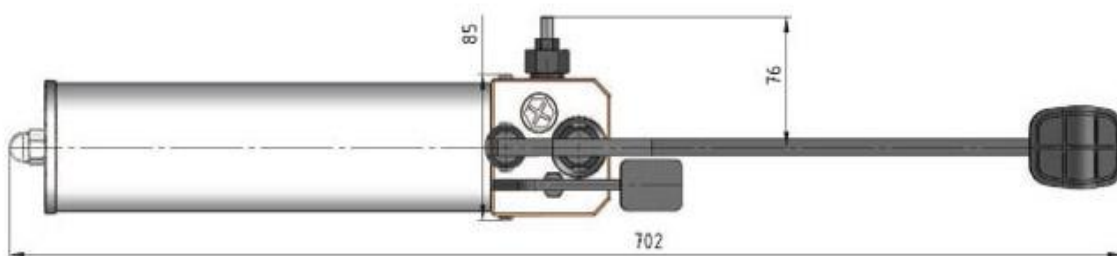
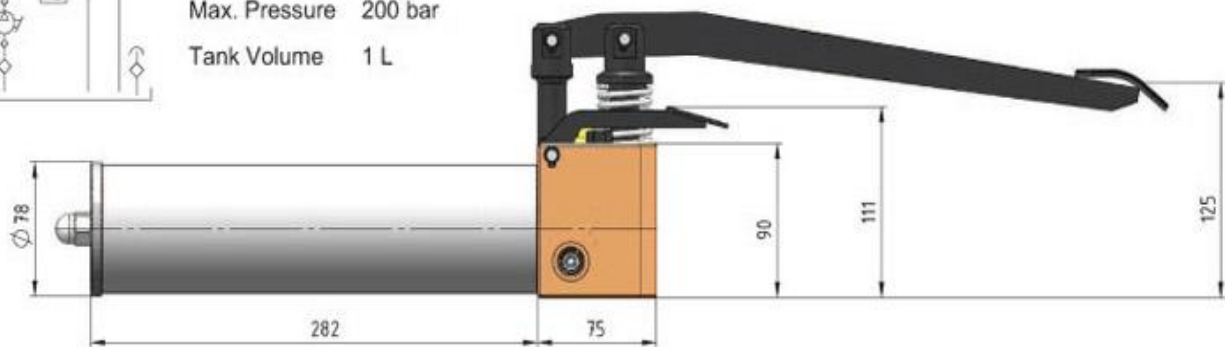


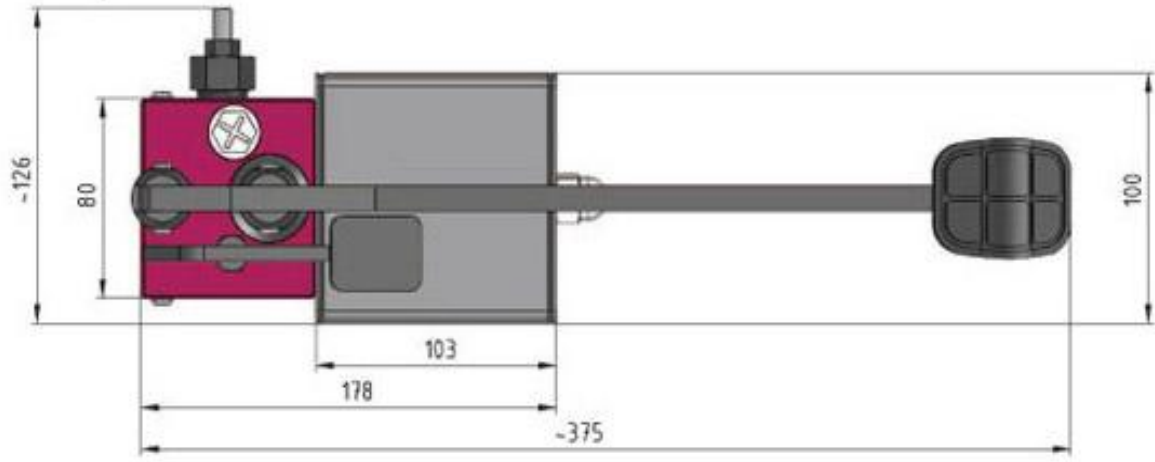
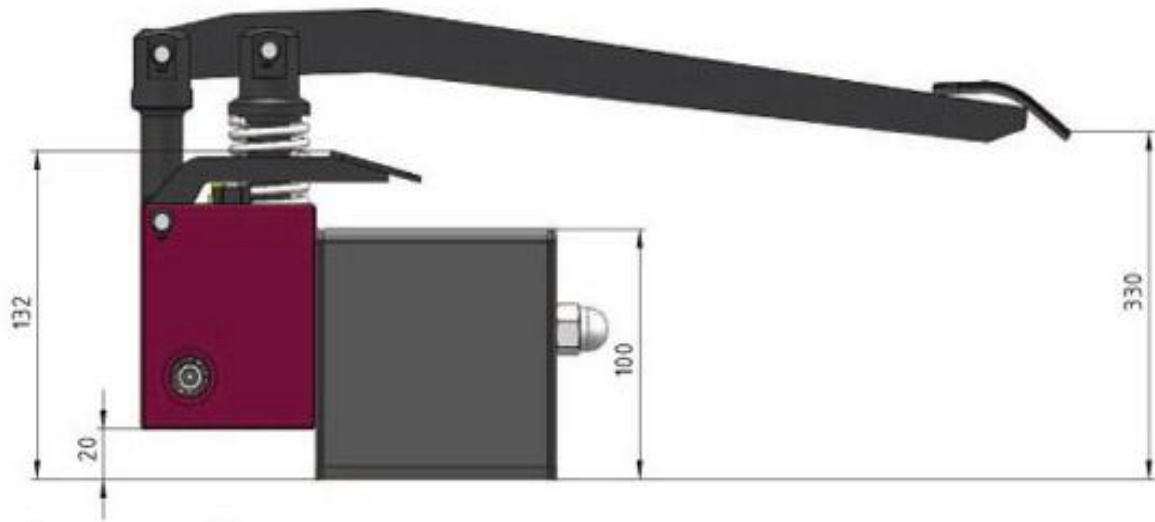
Type	Pressure		Delivery		Handle effort N	D		d		Stroke mm
	1 st.	2 st.	1 st.	2 st.		1 st.	2 st.	1 st.	2 st.	
	bar	bar	ccm	ccm		mm	mm	mm	mm	
MPG D-1	20	700	11.4	2.8	340	22	10	30		
MPG D-2	20	700	11.4	2.8	350	22	12	30		

Hidraulic Pedal Pump Type MPG 200



Displacement 10 ccm/stroke
Max. Pressure 200 bar
Tank Volume 1 L





Displaceme
Max. Press
Tank Volun



Type	Tank volume	weight
	L	kg
TMP 01	1	2
TMP 02	2	2.2
TMP 03	3	2.5
TMP 05	5	4.5
TMP 07	7	5.4
TMP 10	10	6.8



Bulgaria; 6100 Kazanlak