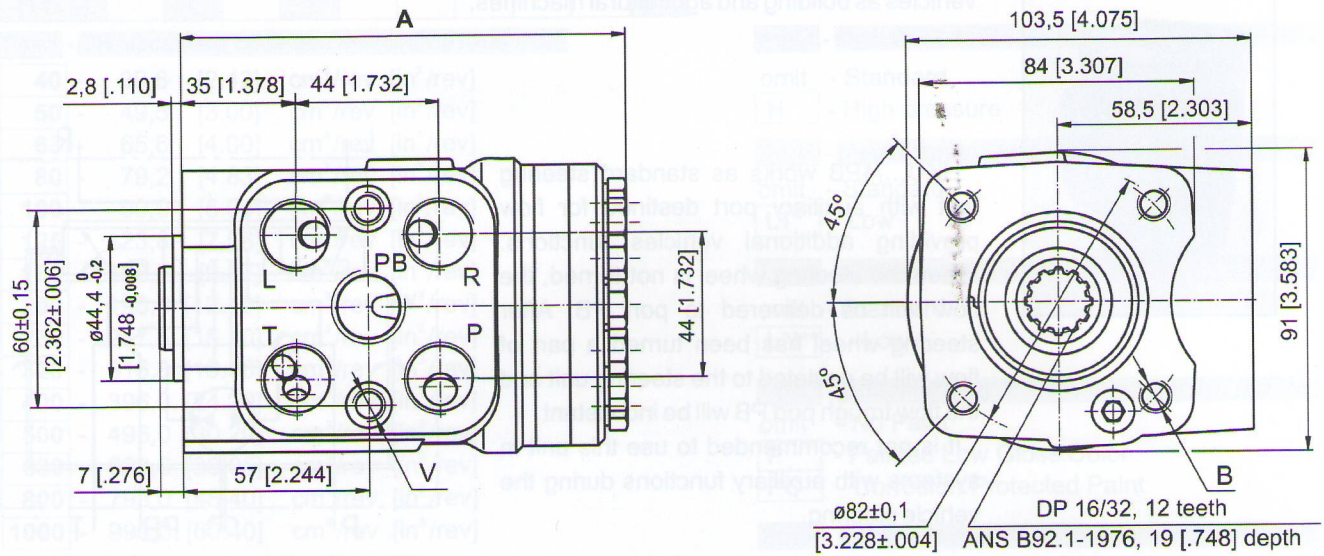
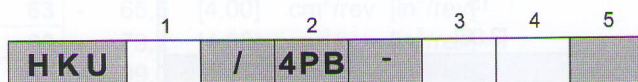


DIMENSIONS AND MOUNTING DATA



code	Ports - P, T, R, L, PB Thread	Column Mounting Thread - B	Valve Mounting Thread - V
-	G3/8 17 [.67] depth	4 x M10 18 [.71] depth	2 x M10x1 16 [.63] depth
A	9/16 - 18 UNF O-ring 17 [.67] depth	4x 3/8 - 16 UNC 15,7 [.62] depth	2 x 3/8 - 24 UNF 14,2 [.56] depth

ORDER CODE for HKU.../4PB



Pos.1 - Displacement code (see Specification Data)

40	-	39,6 [2.42]	cm ³ /rev [in ³ /rev]
50	-	49,5 [3.00]	cm ³ /rev [in ³ /rev]
63	-	65,6 [4.00]	cm ³ /rev [in ³ /rev]
80	-	79,2 [4.83]	cm ³ /rev [in ³ /rev]
100	-	99,0 [6.04]	cm ³ /rev [in ³ /rev]
125	-	123,8 [7.56]	cm ³ /rev [in ³ /rev]

Pos.2 - Versions

4PB - Version 4 "Open Center - Non Load Reaction" with 5 ports (Power Beyond)

Pos.3 - Ports

omit - BSPP (ISO 228)
A - SAE (ANSI B 1.1 - 1982)

Pos.4 - Option (Paint)*

omit - No Paint
P - Painted Low Gloss Color
PC - Corrosion Protected Paint

Pos.5 - Design Series

omit - Factory specified

NOTES:

* Colour at customer's request.

The steering units are mangano-phosphatized as standard.

