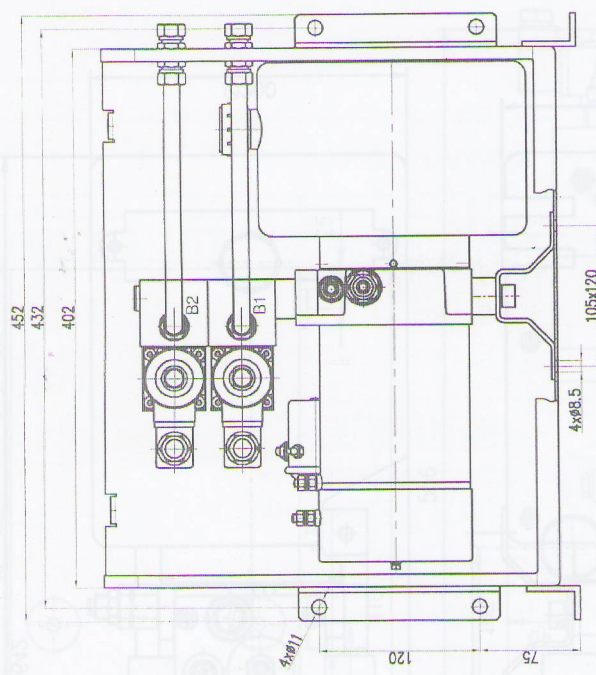
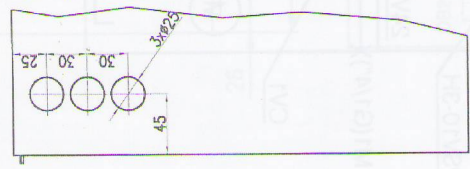
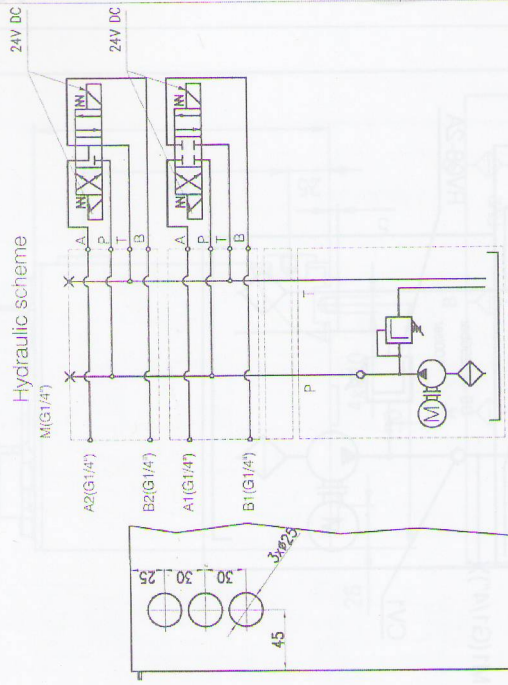


MINI POWER PACK MPP-M1/1294



TANK

Volume 3 L

PUMP

Geometrical volume 2 cc/rev

Working pressure 150 bar

Flow 5.2 l/min

MOTOR

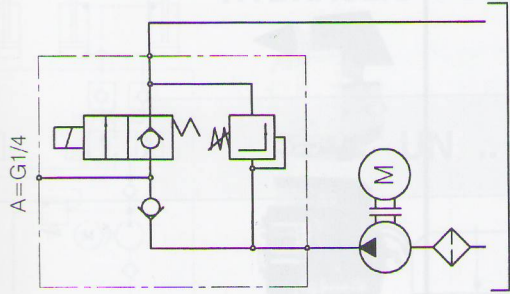
Voltage 24 V DC

Power 1.5 kW

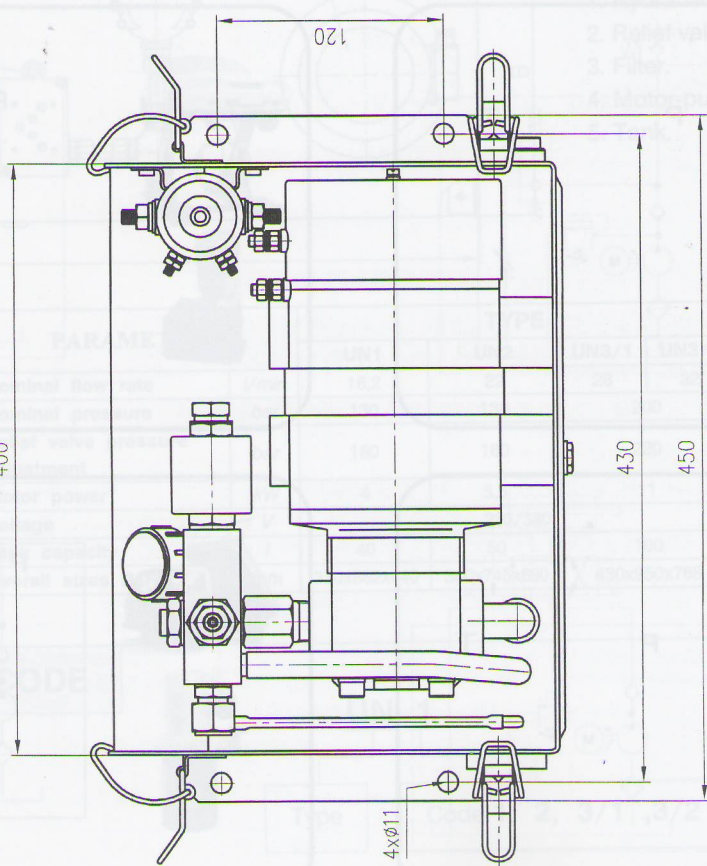
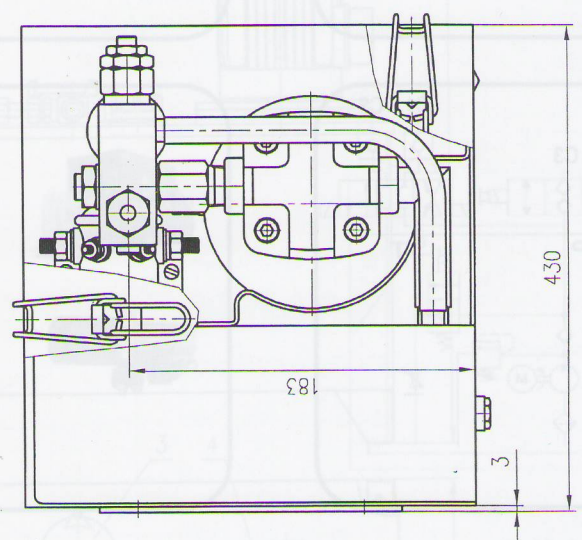
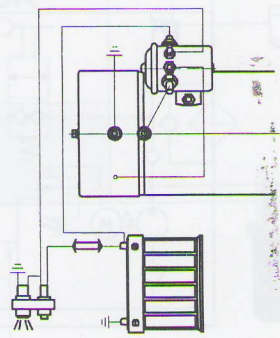
Speed 2700

HC-24-D-MB-21-3.15-175

Hydraulic scheme



Electric installing scheme



TANK

Volume 12 L

PUMP

Geometrical volume 3.15 cc/rev

Working pressure 175 bar

MOTOR

Voltage 24 V DC

Power 2 kW