

**HYDRAULIC DIRECTIONAL CONTROL VALVES
РАСПРЕДЕЛИТЕЛИ ГИДРАВЛИЧЕСКИЕ****Type: P120****Description**

Назначение и область применения

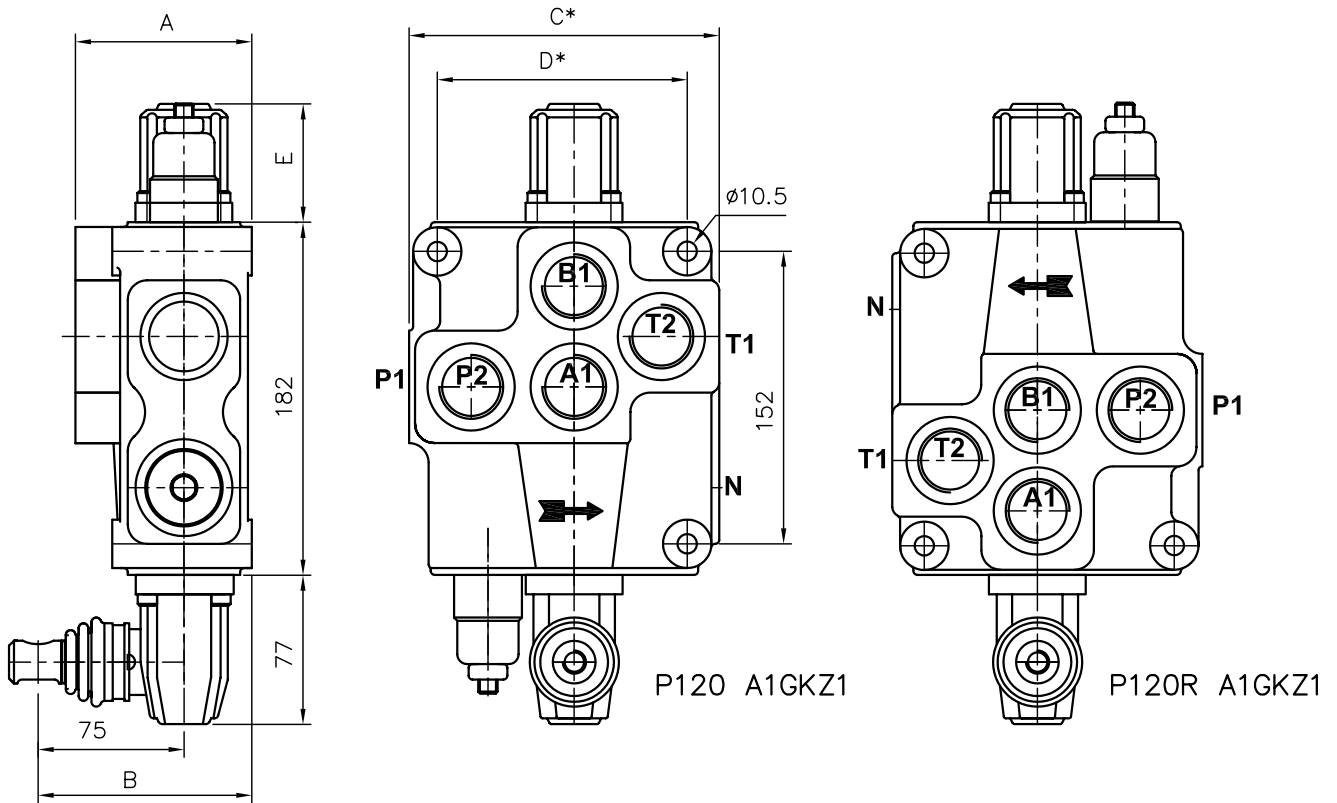
For starting, controlling and stopping the working fluid between the generator of pressured flow, the consumers and the Tank. Предназначен для изменения направления потока, ограничения давления рабочей жидкости в гидролиниях, разгрузки насоса в нейтральной позиции золотников.

Specifications

Основные показатели:

1. Valve monoblock	моноблок
Конструктивное выполнение	3 bolts M10
2. Mounting	
Крепление	
3. Pressure connections	internal thread
Присоединительные отверстия	внутренние резьбы
4. Ambient temperature	-40C...+60C
Температура воздуха	
5. Pressure medium	mineral oil based hydraulic oil
Рабочая жидкость	
6. Viskosity	12... 800 mm ² /s permissible range
Кинематическая вязкость	20...100 mm ² /s recommended range
7. Fluid temperature	- 15C...+80C
8. Filtration	Oil contamination 10 to NAS1638
9. Max. operating pressure	P = 250 bar
Давление max. bar	T = 50 bar
	A, B = 300 bar
10. Leakage	30 cm ³ /min at 120 bar
Внутренние потери (A, B – T)	
11. Nominal flow	120 l/min (see “operating” diagram)
Разход рабочей жидкости	
12. Spool stroke	± 10 mm, L12 = ± 10 mm +6 mm
Ход золотника	
13. Actuating force	< 300 N in spool axis direction
Усилие на движения золотника	

directional control valve P120
 parallel



* for each next spool + 53 mm

Table 1

	A	B	C	D	P1	P2	T1	T2
P120	92	110	160	129	+	+	+	+

Table 2

spool control фиксация золотника	E
1; 2, 3, 4; 5; 6; 7; 8; 9; 10; 11;	64
12	74

02 P120 1 A 1 L 12 G KZ1 H E C2 -11

number of spools _____

hydraulic directional control valve P120 _____

parallel distribution (parallel) _____

spool type—distribution _____

spool control (table 2) _____

second spool distribution (table 1) _____

second spool control (table 2) _____

ports threads (table 5) _____

lever options (table 6) _____

operation features (table 4) _____

electric microswitch (table 3) _____

carry over center (table 7) _____

connection ports in use (table 8) _____

directional control valve P120
parallel

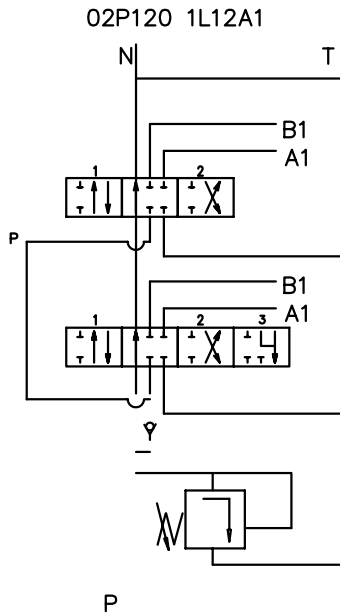


Table 3

code	Number of spools
P	1
02, 2	2
03, 3	3

ets.

Table 4

code	way of distribution ; распределение потока
1	parallel ; параллельное
(2)	(tandem(series parallel) ; серийно-параллельное)

Table 5

code	spool type
A	
B	
C	
D	
E	
F	
G	
H	
M	
N	
O	
P	
Q	
R	
S	
T	
L	

Table 6

code	spool control
1	
2	
3	
4	
5	
6	
7	
8	
9	
10	
11	
12	
13	

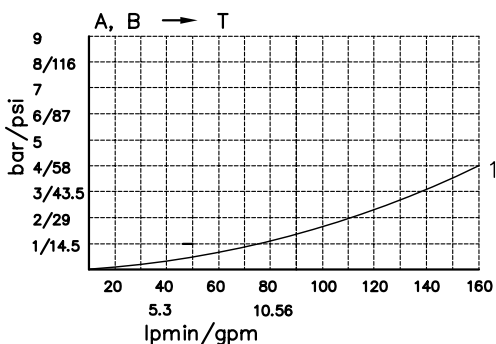
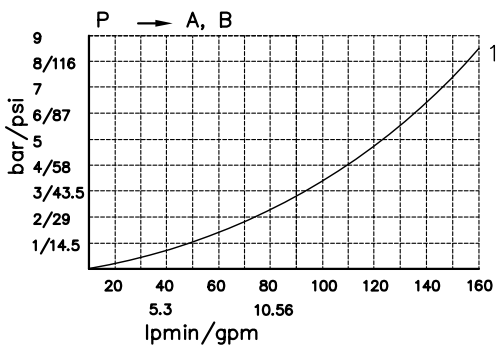
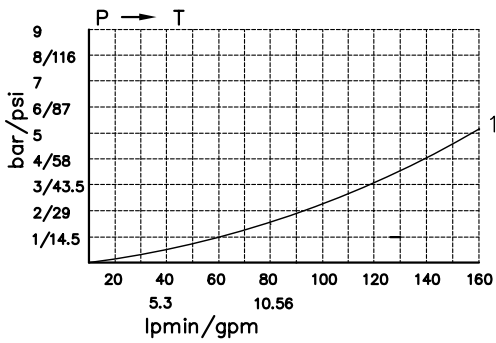


Table 7

code	с микро шалтер ; incorporated microswitch
E	<div style="display: inline-block; vertical-align: middle;"> mikroswitch type Omron-V 165 I C5 </div>

Table 8

code	другое управление ; operation feature
P	пневматическое on-off pneumatic control ; 5-10 bar ; ports G1/4
H	гидравлическое on-off hydraulic control ; pn = 5 - 20 bar ; ports G1/4

directional control valve P120
 parallel

treads for conection

Table 9

outlets/ports/	metric	BSP	SAE	NPT
P, A, B, T	M33x2	G 1"	SAE 16	1 – 11.5
N	M36x1.5	–	–	–

Table 10

code	with thread M12	code	with cange $\phi 12$	code	with cange $\phi 12$
KZ		KY		KI	
KZ1		KY1		KI1	
KZ0		KY0		KI0	
KZ01		KY01		KI01	

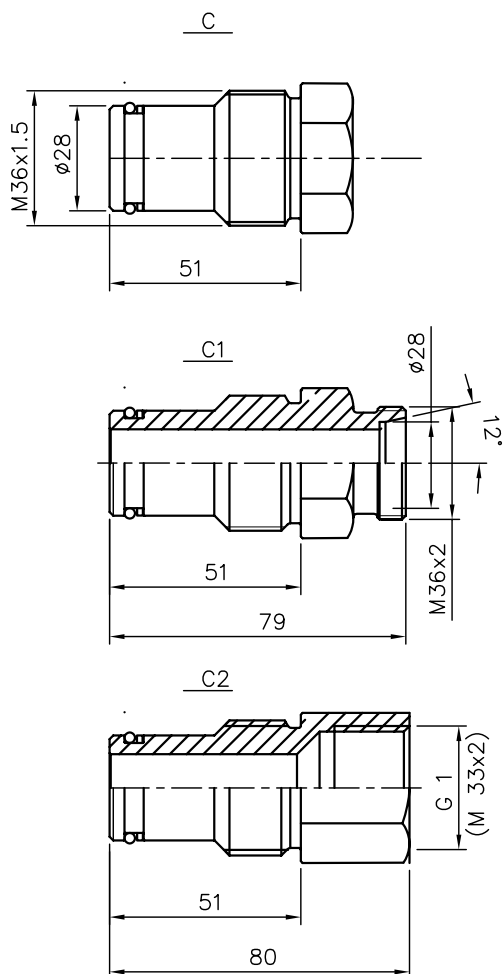


Table 11

code	metric
X	without N
–	with N, but closed
C	with N, closed center
C1	with N –carry over for ermeto
C2	with N–carry over, internal thread

Table 12

code	ports for connection in uze
11	P1 ; T1
12	P1 ; T2
21	P2 ; T1
21	P2 ; T1