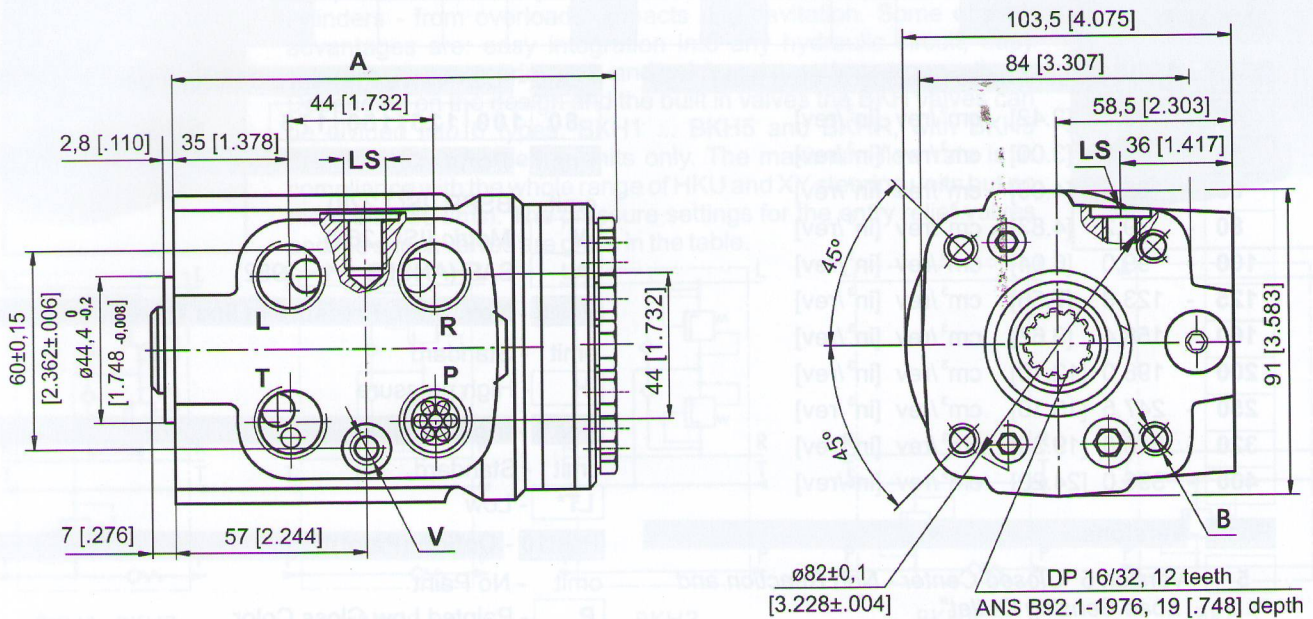
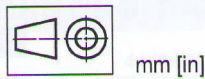
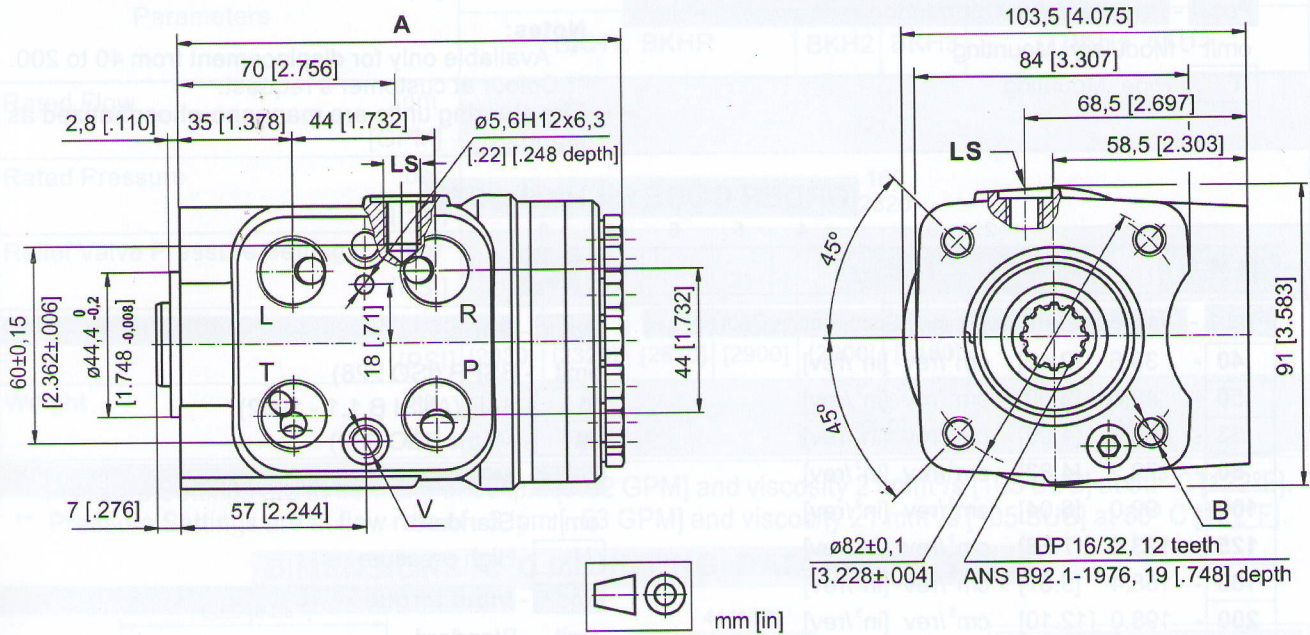


**DIMENSIONS AND MOUNTING DATA - HKUS.../5T(DT)**



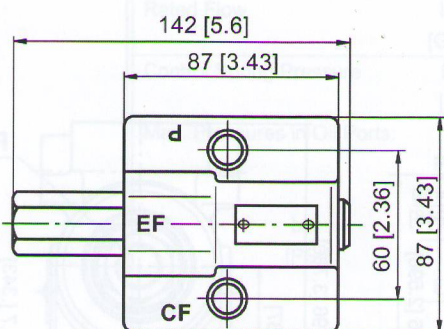
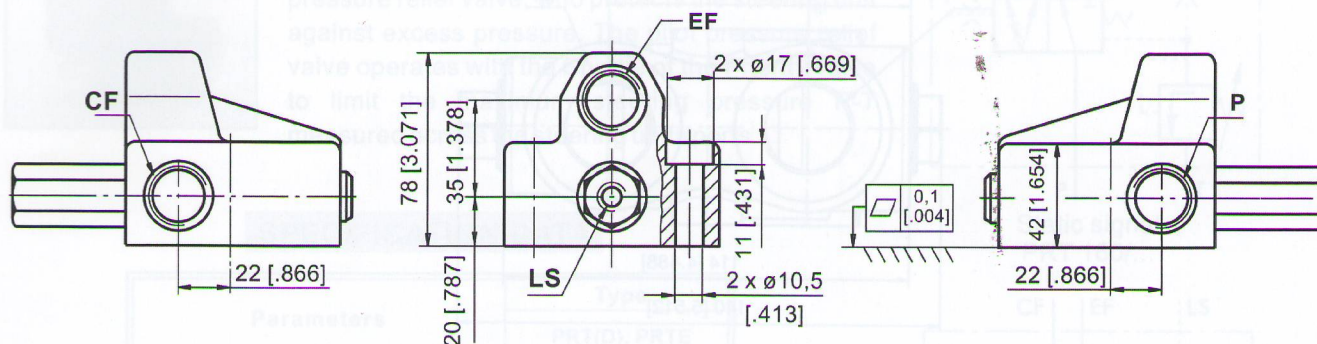
**DIMENSIONS AND MOUNTING DATA - HKU.../5T(TU)**



Code	Ports - P*, T, R, L Thread	Column Mounting Thread - B	Valve Mounting Thread-V	LS - Port
-	G1/2 17 [.67] depth	4 x M10 18 [.71] depth	2 x M10x1 16 [.63] depth	G1/4 14 [.55] depth
M	M22x1,5 17 [.67] depth	4 x M10 18 [.71] depth	2 x M10x1 16 [.63] depth	G1/4 .14 [.55] depth
A	3/4 - 16 UNF O-ring 17 [.67] depth	4 x 3/8 - 16 UNC 15,7 [.62] depth	2 x 3/8 - 24 UNF 14,2 [.56] depth	7/16 - 20 UNF O-ring 12,7 [.50] depth

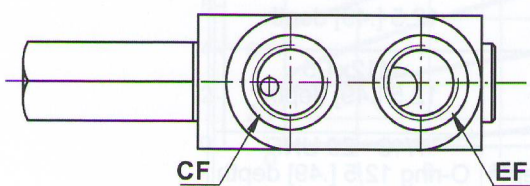
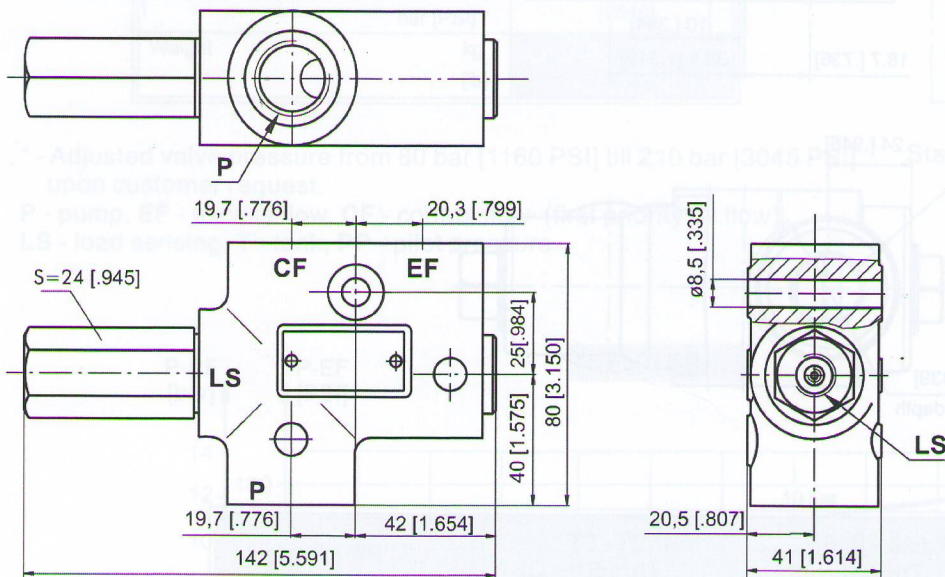
\*Threaded Ports P min 16 [.63] depth for pipe mounting.

**DIMENSIONS AND MOUNTING DATA - PRT(D) 40, 80/...**



code	Ports - P, EF Thread	Port - CF Thread	LS - Port
-	G1/2 18 mm [0.71] depth	G1/2 18 mm [0.71] depth	G1/4 14 mm [0.55] depth
M	M 22x1,5 18 mm [0.71] depth	M 22x1,5 18 mm [0.71] depth	G1/4 14 mm [0.55] depth
A	7/8 - 14 UNF O-ring 18 [0.71] depth	3/4 - 16 UNF O-ring 18 [0.71] depth	7/16 - 20 UNF O-ring 12,7 [0.50] depth

**DIMENSIONS AND MOUNTING DATA - PRTA(D) 40, 80/...**



code	Ports - P, EF Thread	Port - CF Thread	LS - Port
-	G1/2 18 mm [0.71] depth	G1/2 18 mm [0.71] depth	G1/4 14 mm [0.55] depth
M	M 22x1,5 18 mm [0.71] depth	M 22x1,5 18 mm [0.71] depth	G1/4 14 mm [0.55] depth
A	7/8 - 14 UNF O-ring 18 [0.71] depth	3/4 - 16 UNF O-ring 18 [0.71] depth	7/16 - 20 UNF O-ring 12,7 [0.50] depth

