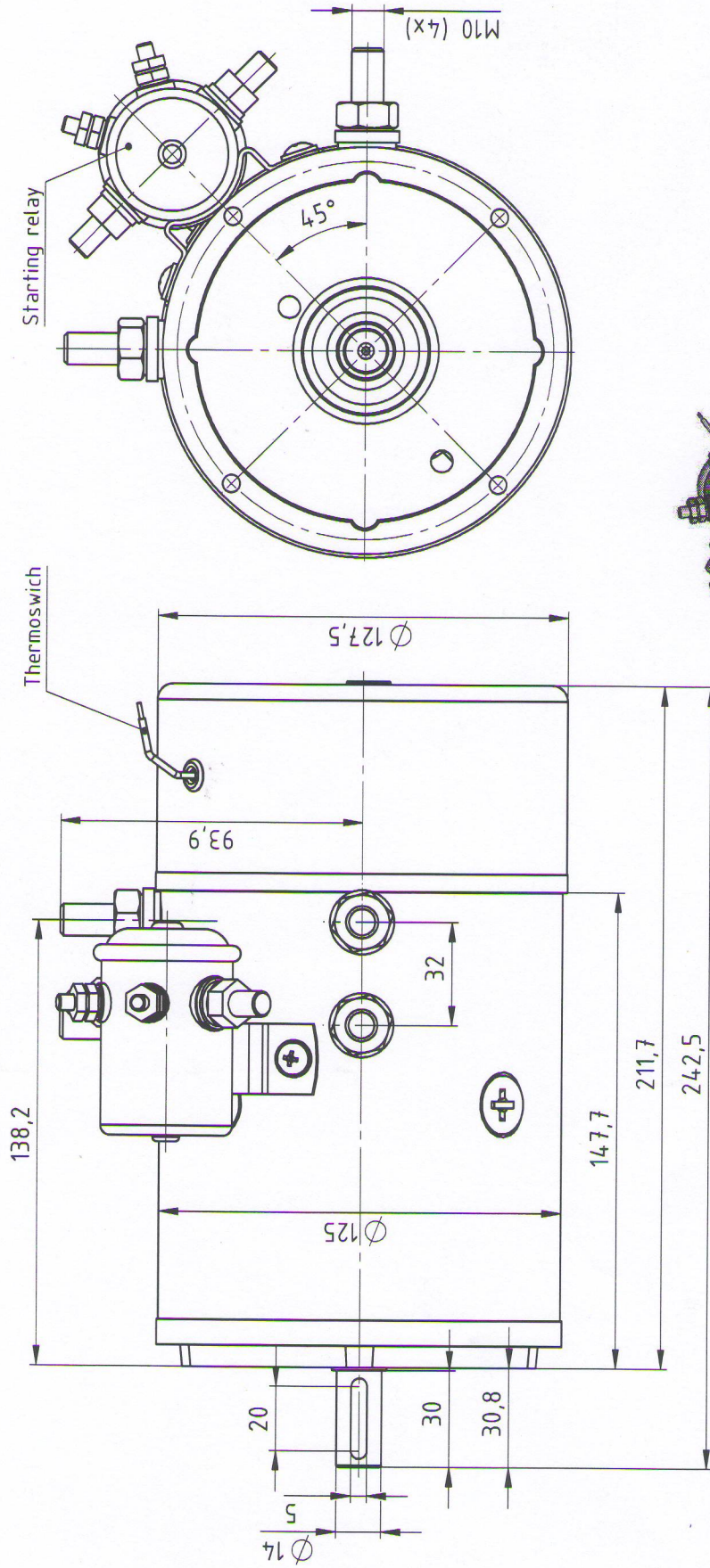


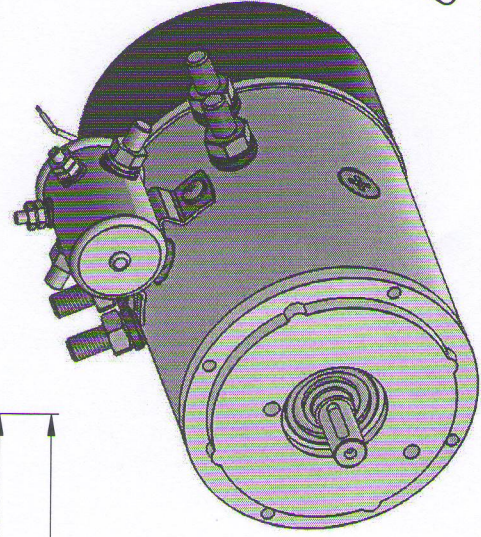
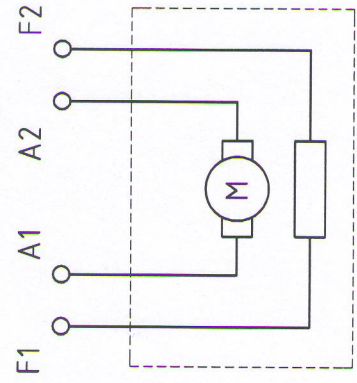
# DCM 0,4/2,4/25-01 SepEx



## Technical Data

Voltage 24 V DC  
 Power 0,4 kW  
 $n = 2500$  r.p.m.  
 Excitation - SepEx  
 S1 - continues  
 IP 44  
 Torque 1,5 N.m  
 Insulation class F  
 Weight 11,5 kg  
 Rotation Rev.

Connection diagram

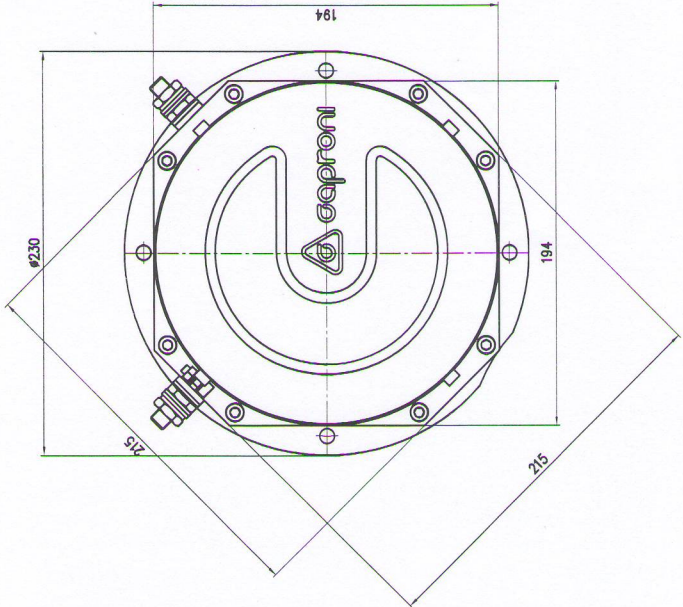
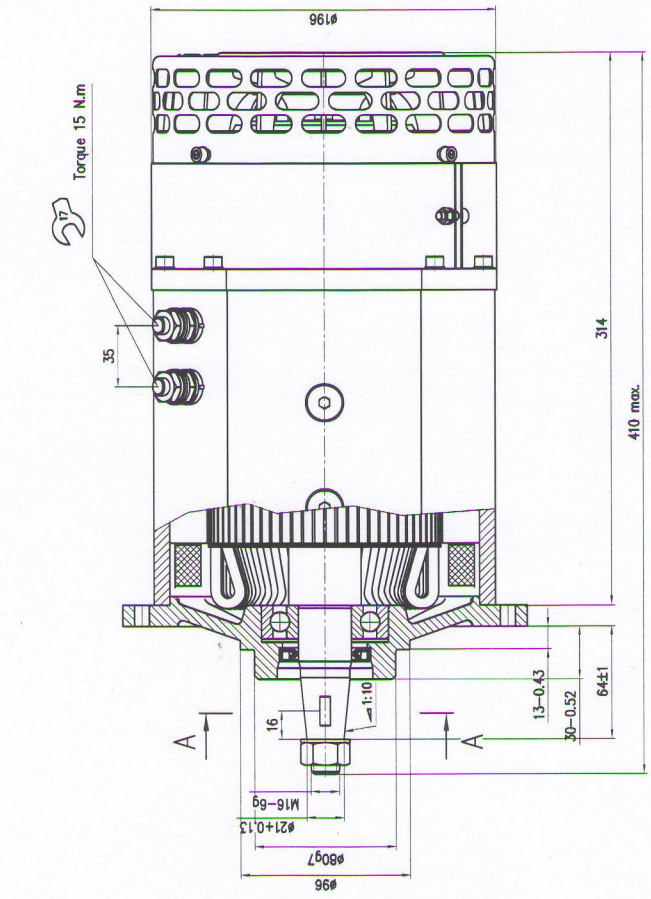
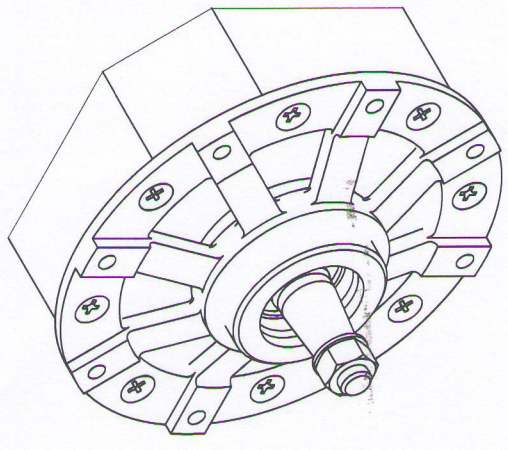
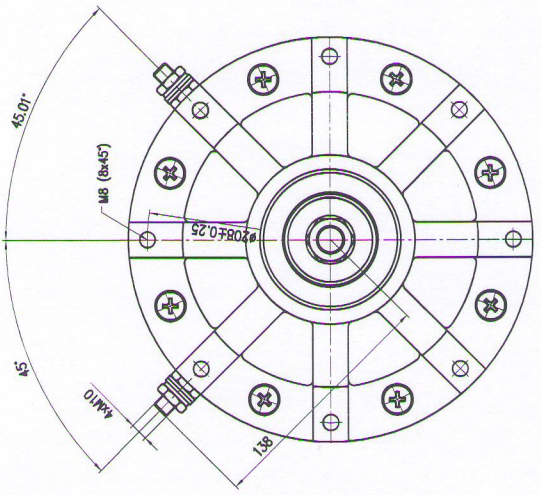


JOINT-STOCK COMPANY

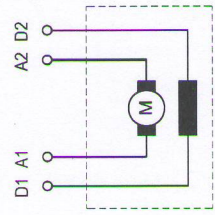


HYDRAULIC COMPONENTS AND SYSTEMS

# DCM 3/3,8/18 - traction version 1



## Connection Diagram



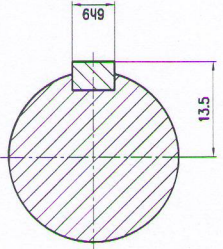
Rotation (viewed from the drive end)  
 C.C.W. Connect A2 to D1; "+," to D2 and "-," to A1  
 C.W. Connect A2 to D2; "+," to D1 and "-," to A1

## TECHNICAL DATA

DCM 3/3,8/18

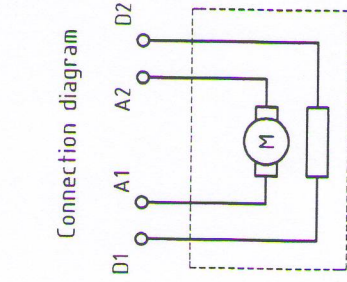
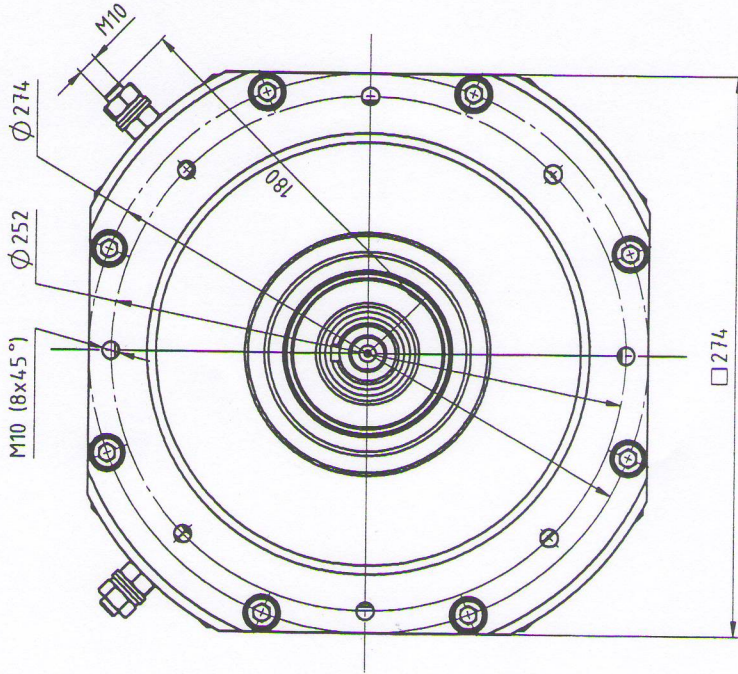
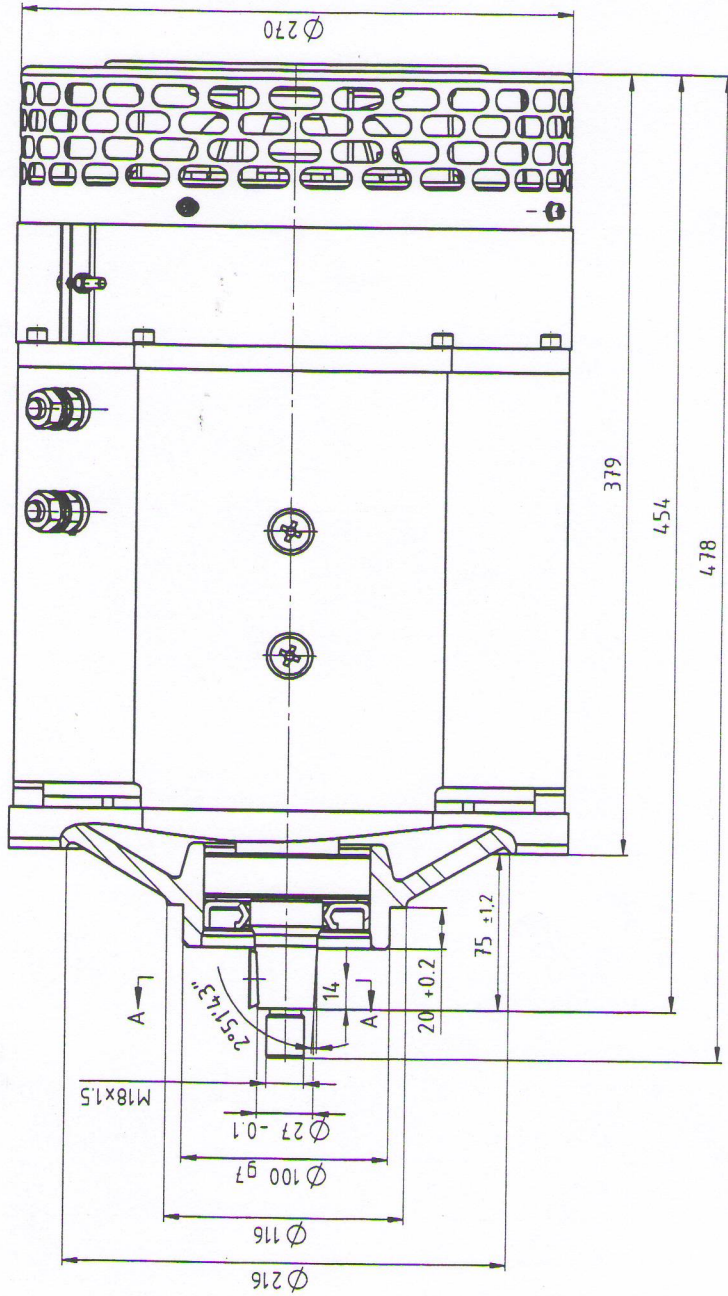
Rated Power	3 kW
Rated Voltage	38 V
Rated Current	95 A
Rated Speed	1800 min. <sup>-1</sup>
Operation Mode	S2 - 60 min.
Excitation	Series
Protection	IP 21
Insulation	F
Weight	41 kg

A-A  
 M2:1



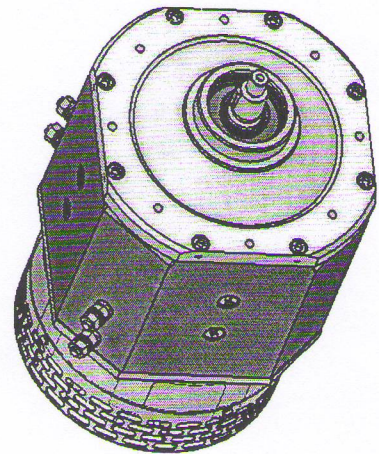
Rev. 30.03.2007

# TRACTION MOTOR TYPE DCM 6,3/8/14



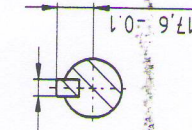
## MOTOR

- Rated Power 6,3 kW
- Rated Speed 1400 r.p.m.
- Rated Voltage 80V DC
- Rated Current 96 A
- Operation Mode S2 - 60 min.
- Excitation Series
- Protection IP 21
- Insulation F
- Rotation Rev



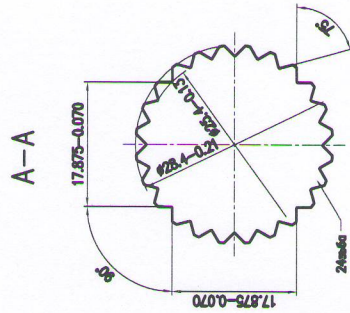
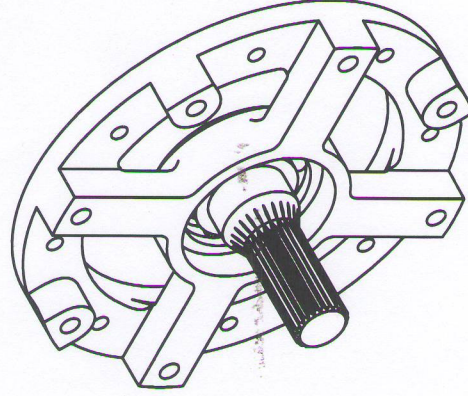
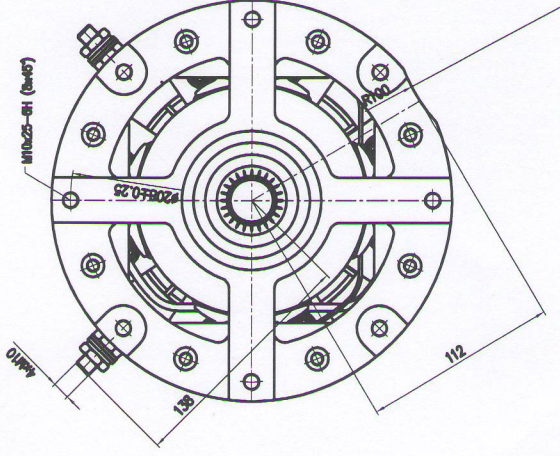
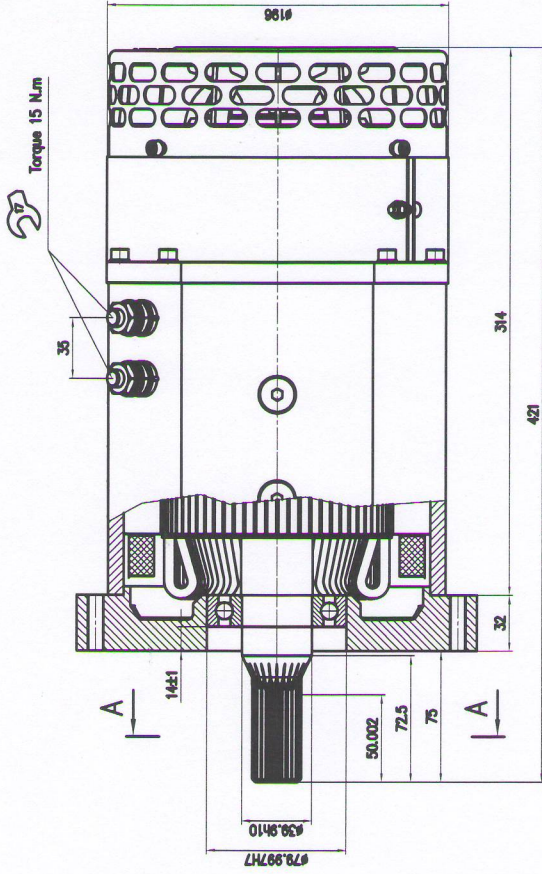
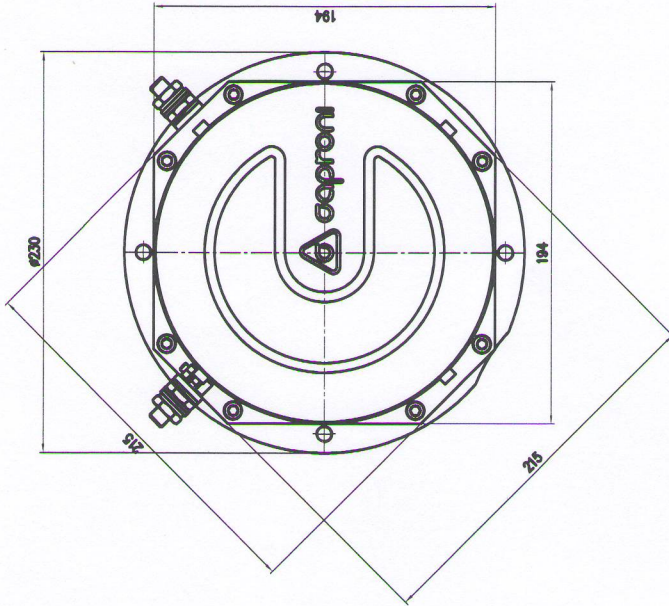
A-A

8 h7



JOINT-STOCK COMPANY  
**caproni**  
 HYDRAULIC COMPONENTS AND SYSTEMS

DCM 5/4,5/21 - traction version

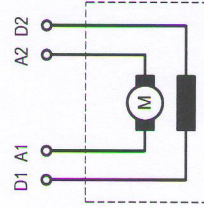


TECHNICAL DATA

DCM 5/4,5/21

Rated Power	5 kW
Rated Voltage	48 V
Rated Current	138 A
Rated Speed	2100 min. <sup>-1</sup>
Operation Mode	S2 - 60 min.
Excitation	Series
Protection	IP 21
Insulation	F
Weight	37.2 kg

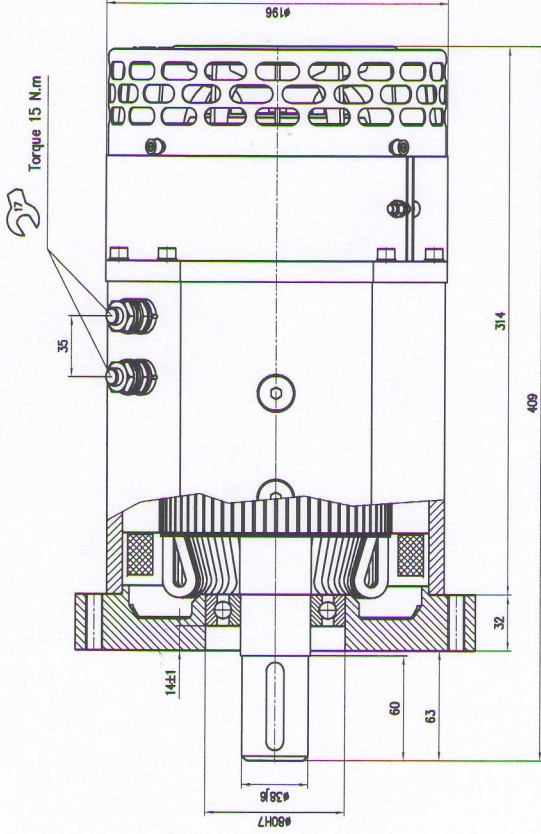
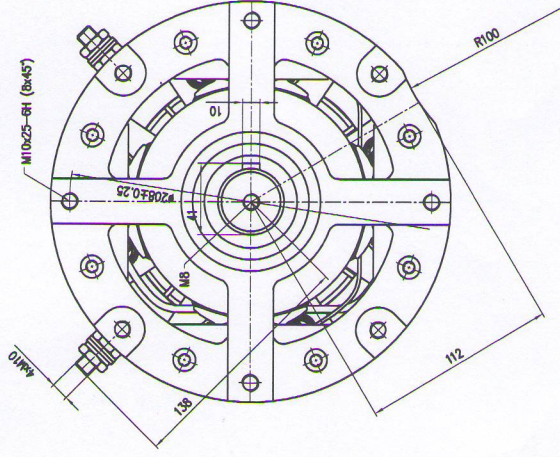
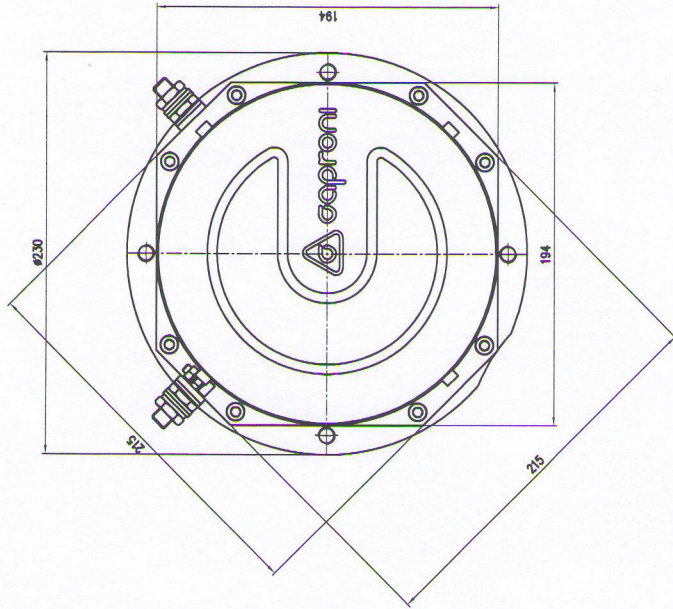
Connection Diagram



Rotation (viewed from the drive end)  
 C.C.W. Connect A2 to D1; "+" to D2 and "-" to A1  
 C.W. Connect A2 to D2; "+" to D1 and "-" to A1

Rev. 16.03.2007

DCM 6/8/28 - traction version (EV)  
 DCM 7/8/28 - traction version (EV)

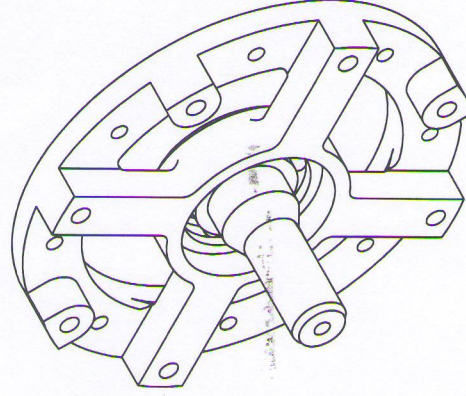
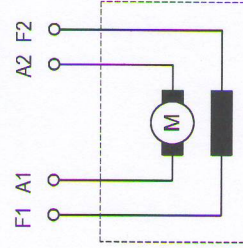


## TECHNICAL DATA

DCM 6/8/28      DCM 7/8/28

Rated Power	6 kW	7 kW
Rated Voltage	80 V	80 V
Rated Current	90 A	105 A
Rated Speed	2800 min. <sup>-1</sup>	2800 min. <sup>-1</sup>
Nominal Torque	20.5 N.m	24 N.m
Operation Mode	S2 - 60 min.	S2 - 60 min.
Excitation	SepEx	SepEx
Protection	IP 21	IP 21
Insulation	F	F
Weight	39 kg	41 kg

## Connection Diagram

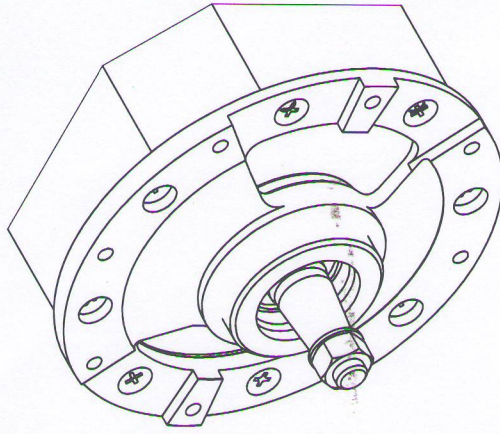
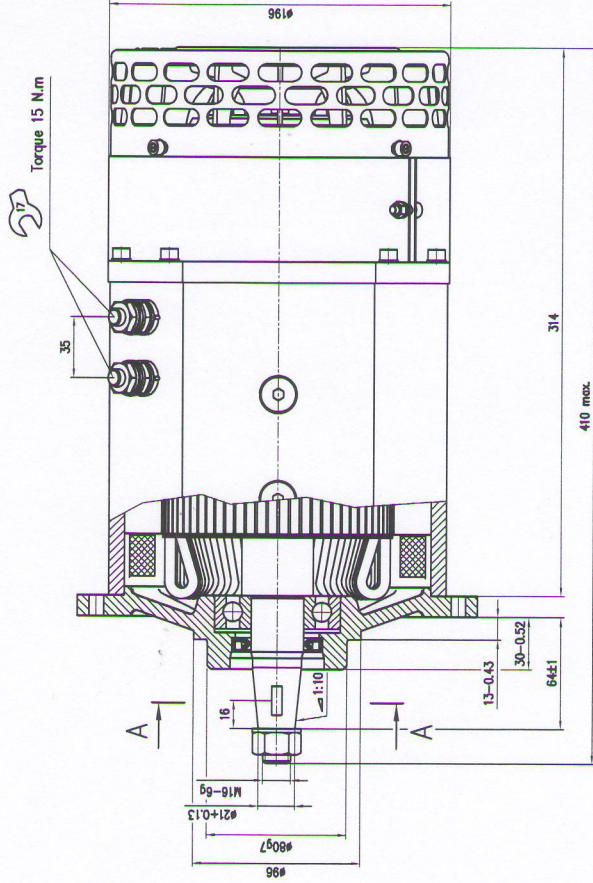
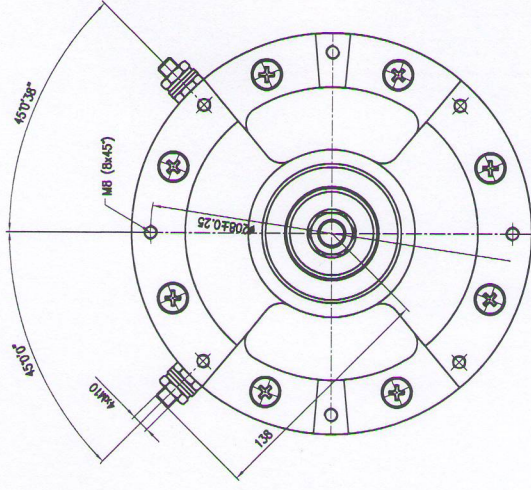
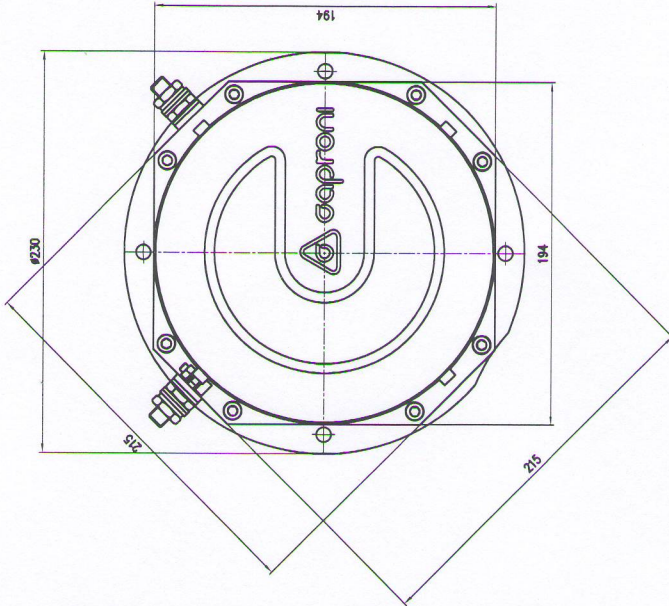


Note: Motor type DCM 6/8/28 can use for EV with overall weight up to 600 kg  
 Motor type DCM 7/8/28 can use for EV with overall weight up to 700 kg

6100 Kazanlak, BULGARIA  
 1, Vozzhel Str.  
 Tel: +359 431/62 229  
 Fax: +359 431/62 230  
 E-mail: cip\_ltd@caproni.bg  
 E-mail: caproni@caproni.bg  
 WEB: http://www.caproni.bg

**C&P** LTD.

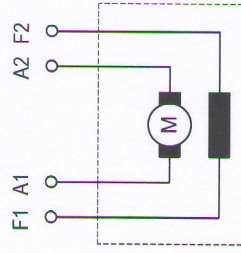
# DCM 7/8/28 - traction version 2 (EV)



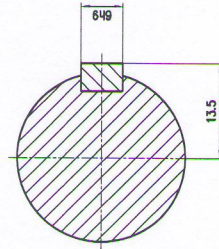
## TECHNICAL DATA

Rated Power	7 kW
Rated Voltage	80 V
Rated Current	105 A
Rated Speed	2800 min <sup>-1</sup>
Nominal Torque	24 N.m
Operation Mode	S2 - 60 min.
Excitation	SepEx
Protection	IP 21
Insulation	F
Weight	41 kg

## Connection Diagram



A-A  
M2:1



Note: This motor can use for EV with overall weight up to 700 kg

Rev. 18.06.2010